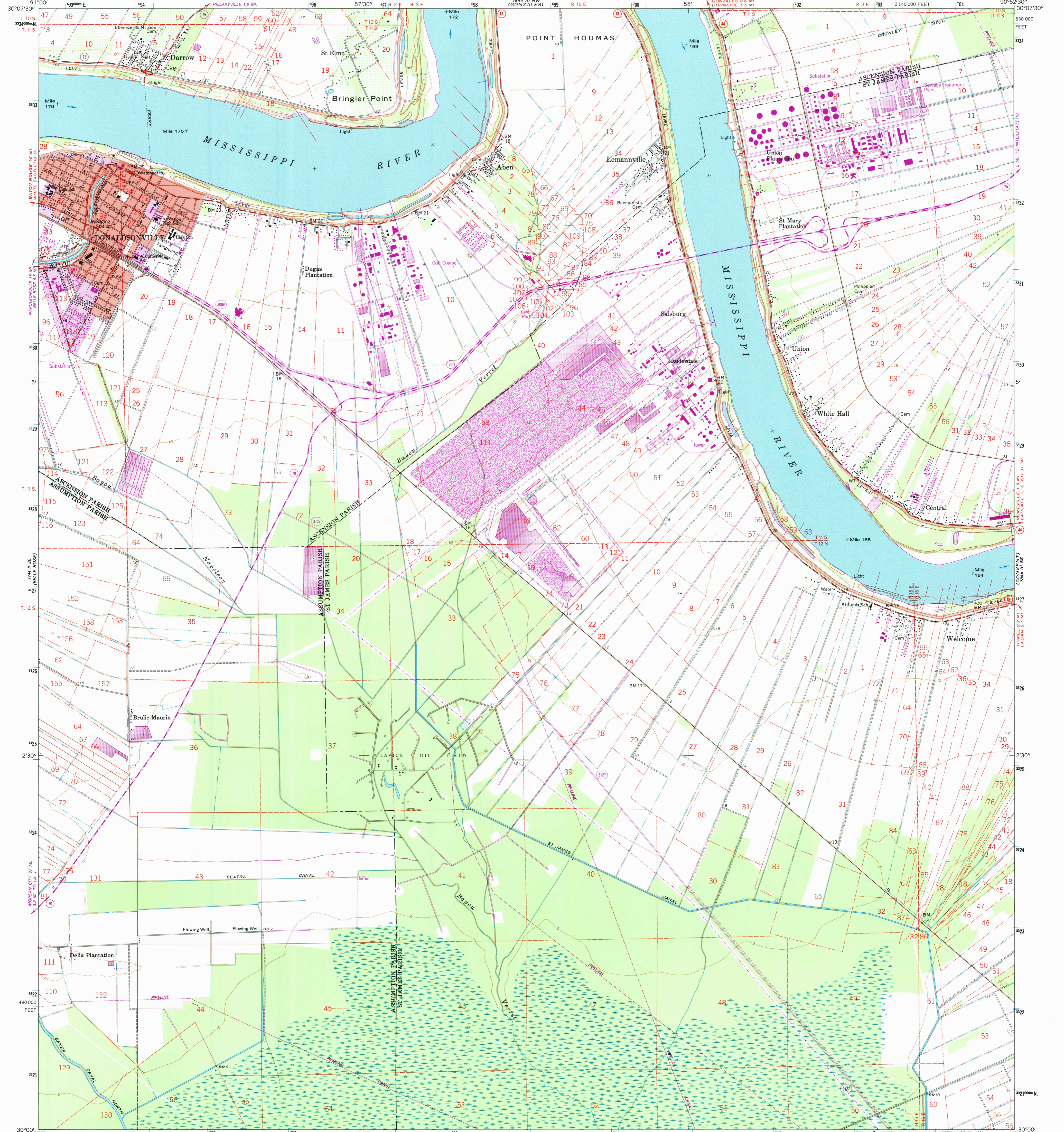
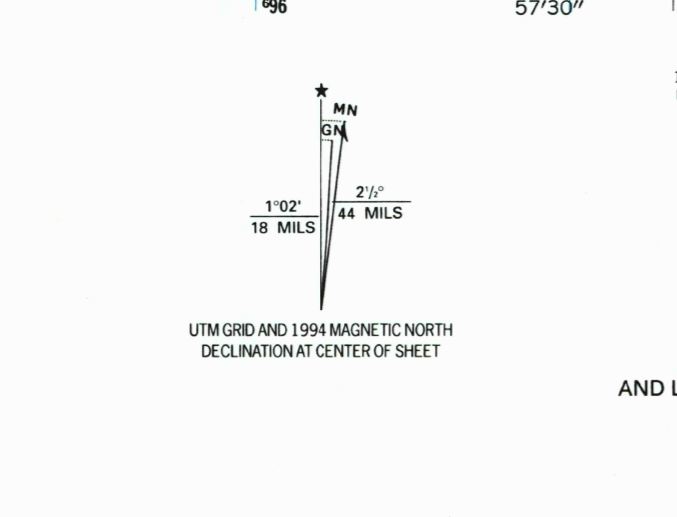


UNITED STATES  
DEPARTMENT OF THE INTERIOR  
GEOLOGICAL SURVEY

DONALDSONVILLE QUADRANGLE  
LOUISIANA  
7.5 MINUTE SERIES (TOPOGRAPHIC)  
SW/4 DONALDSONVILLE 15' QUADRANGLE



Produced by the United States Geological Survey  
Control by USGS, NOS/NOAA, and USCE  
Planimetry by photogrammetric methods from aerial photographs taken 1961. Topography by planetable surveys 1962  
Projection and 10,000-foot grid ticks: Louisiana coordinate system, south zone (Lambert conformal conic)  
1000-meter Universal Transverse Mercator grid ticks, zone 15, shown in blue  
1927 North American Datum (NAD 27)  
North American Datum of 1983 (NAD 83) is shown by dashed corner ticks  
The values of the shift between NAD 27 and NAD 83 for 7.5-minute intersections are given in USGS Bulletin 1875  
Red tint indicates areas in which only landmark buildings are shown  
All or part of this quadrangle lies within a subsidence area  
Fine red dashed lines indicate selected fence and field lines where generally visible on aerial photographs. This information is unchecked



THIS MAP COMPLIES WITH NATIONAL MAP ACCURACY STANDARDS  
FOR SALE BY U.S. GEOLOGICAL SURVEY, DENVER, COLORADO 80225, OR RESTON, VIRGINIA 22092  
AND LOUISIANA DEPARTMENT OF TRANSPORTATION AND DEVELOPMENT, BATON ROUGE, LOUISIANA 70804  
A FOLDER DESCRIBING TOPOGRAPHIC MAPS AND SYMBOLS IS AVAILABLE ON REQUEST

USGS MAP ARCHIVES  
JAN 03 1995  
REC'D FILE COPY

ROAD CLASSIFICATION  
Primary highway, hard surface  
Secondary highway, hard surface  
Light-duty road, hard or improved surface  
Unimproved road  
Interstate Route  
U. S. Route  
State Route

QUADRANGLE LOCATION  
LOUISIANA

DONALDSONVILLE, LA.  
SW/4 DONALDSONVILLE 15' QUADRANGLE  
30090-A8-TF-024  
1962  
REVISED 1994  
DMA 7844 III SW - SERIES V885

Information shown in purple may not meet USGS content standards and may conflict with previously mapped contours  
Purple tint indicates extension of urban areas