

Mapped by U. S. Coast and Geodetic Survey  
Edited and published by the Geological Survey  
Control by USC&GS

Culture and drainage in part compiled from aerial photographs  
taken 1952. Topography by planetable surveys 1952  
Field check 1955

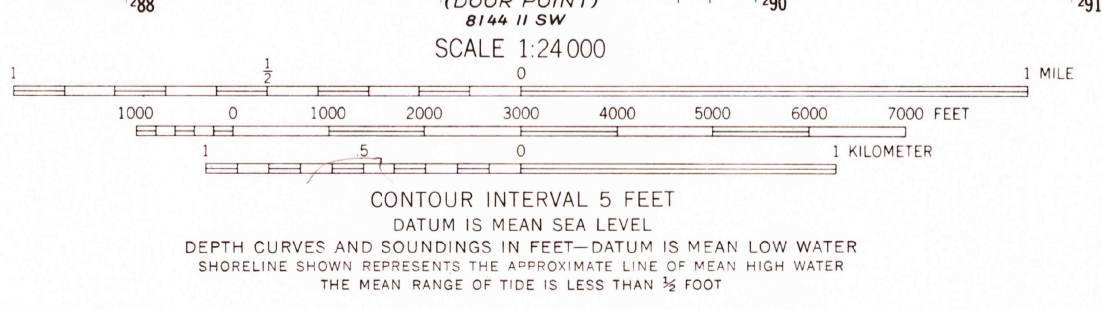
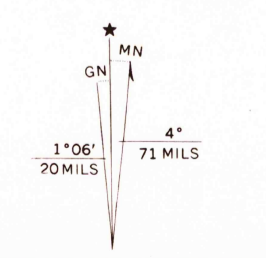
Hydrography compiled from USC&GS chart 1268 (1951)

Polyconic projection, 1927 North American datum  
10,000-foot grids based on Louisiana coordinate system, south zone  
and Mississippi coordinate system, east zone

1000-meter Universal Transverse Mercator grid ticks,  
zone 16, shown in blue

Land lines added from USGS Isle au Pitre 7.5 minute quadrangle  
Dashed land lines indicate approximate locations

Revisions shown in purple compiled by the Geological Survey from  
aerial photographs taken 1970. This information not field checked



THIS MAP COMPLIES WITH NATIONAL MAP ACCURACY STANDARDS  
FOR SALE BY U.S. GEOLOGICAL SURVEY DENVER, COLORADO 80225, OR RESTON, VIRGINIA 22092  
AND LOUISIANA DEPARTMENT OF PUBLIC WORKS, BATON ROUGE, LOUISIANA 70804  
A FOLDER DESCRIBING TOPOGRAPHIC MAPS AND SYMBOLS IS AVAILABLE ON REQUEST



ROAD CLASSIFICATION  
Trails

ISLE AU PITRE, LA.—MISS.  
N 3007.5—W 8907.5/7.5  
PHOTOINSPECTED 1976  
1955  
PHOTOREVISED 1970  
AMS 8144 II NW—SERIES V885

Map photoinspected 1976  
No major culture or drainage changes observed