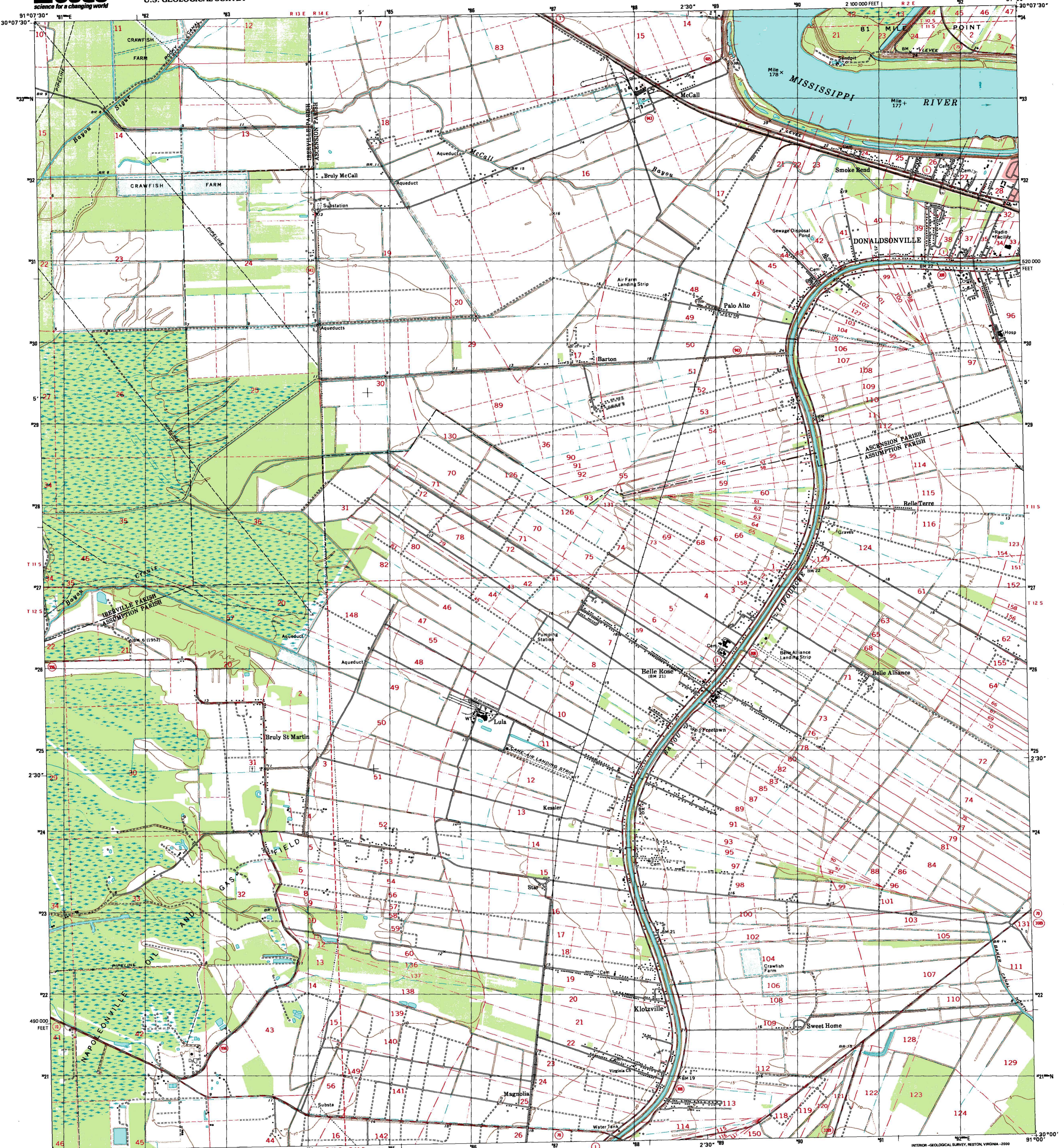


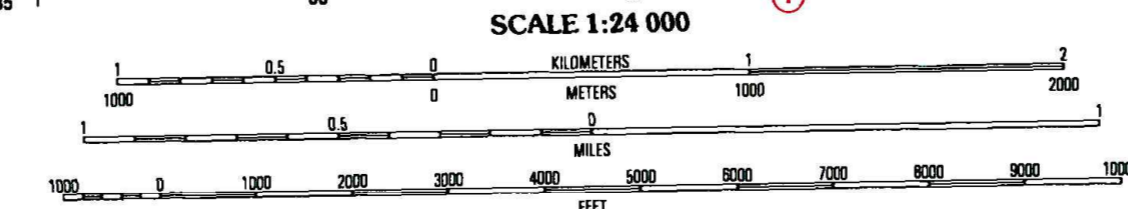
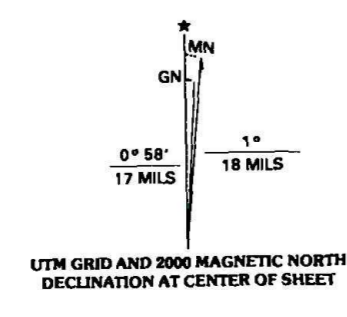


U.S. DEPARTMENT OF THE INTERIOR
U.S. GEOLOGICAL SURVEY

BELLE ROSE QUADRANGLE
LOUISIANA
7.5-MINUTE SERIES (TOPOGRAPHIC)



Produced by the United States Geological Survey
Derived from imagery taken 1973 and other sources. Photospected using imagery taken 1999; no major culture or drainage changes observed. PLS and survey control current as of 1974. Boundaries, other than corporate, verified 2000.
North American Datum of 1927 (NAD 27). Projection and 10 000-foot ticks. Louisiana coordinate system, south zone (Lambert conformal conic).
1000-meter Universal Transverse Mercator grid, zone 15.
North American Datum of 1983 (NAD 83) is shown by dashed corner ticks. The values of the shift between NAD 27 and NAD 83 for 7.5-minute intersections are obtainable from National Geodetic Survey NADCON software.
All or part of this quadrangle lies within a subsidence area. Benchmarks have been adjusted to 1964 leveling unless otherwise indicated by parenthetical dates.



CONTOUR INTERVAL 5 FEET
NATIONAL GEODETIC VERTICAL DATUM OF 1929
TO CONVERT FROM FEET TO METERS, MULTIPLY BY 0.3048

THIS MAP COMPLIES WITH NATIONAL MAP ACCURACY STANDARDS
FOR SALE BY U.S. GEOLOGICAL SURVEY, P. O. BOX 25286, DENVER, COLORADO 80225
AND LOUISIANA DEPARTMENT OF TRANSPORTATION AND DEVELOPMENT, BATON ROUGE, LOUISIANA 70804
A FOLDER DESCRIBING TOPOGRAPHIC MAPS AND SYMBOLS IS AVAILABLE ON REQUEST



QUADRANGLE LOCATION

1	2	3
4	5	6
7	8	

ADJOINING 7.5' QUADRANGLE NAMES

ROAD CLASSIFICATION

- Primary highway hard surface
- Secondary highway hard surface
- Light-duty road, hard or improved surface
- Unimproved road
- Interstate Route
- U.S. Route
- State Route

BELLE ROSE, LA
1999

NIMA 7744 II SE-SERIES V885

LA 18BD

