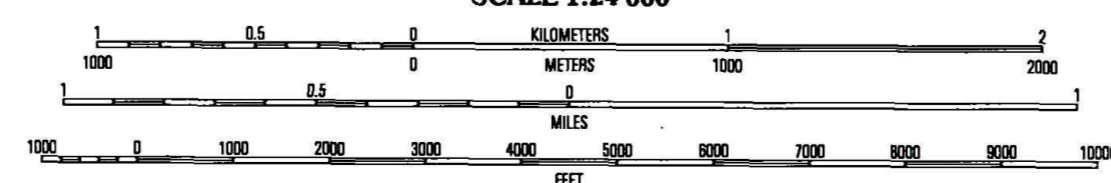
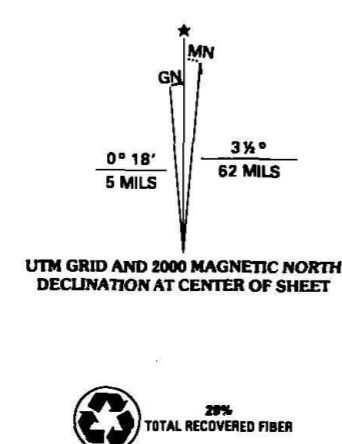


Produced by the United States Geological Survey  
Derived from imagery taken 1974 and other sources. Photointerpreted using imagery taken 1999; no major culture or drainage changes observed. PLSS and survey control current as of 1975. Boundaries, other than corporate, verified 2000.  
North American Datum of 1927 (NAD 27). Projection and 10 000-foot ticks: Louisiana coordinate system, north zone (Lambert conformal conic).  
1000-meter Universal Transverse Mercator grid, zone 15  
North American Datum of 1983 (NAD 83) is shown by dashed corner ticks. The values of the shift between NAD 27 and NAD 83 for 7.5-minute intersections are obtainable from National Geodetic Survey NADCON software.  
There may be private inholdings within the boundaries of the National or State reservations shown on this map.



SCALE 1:24 000  
CONTOUR INTERVAL 10 FEET  
SUPPLEMENTARY CONTOUR INTERVAL 5 FEET  
NATIONAL GEODETIC VERTICAL DATUM OF 1929  
TO CONVERT FROM FEET TO METERS, MULTIPLY BY 0.3048

THIS MAP COMPLIES WITH NATIONAL MAP ACCURACY STANDARDS  
FOR SALE BY U.S. GEOLOGICAL SURVEY, P.O. BOX 25286, DENVER, COLORADO 80225  
AND LOUISIANA DEPARTMENT OF TRANSPORTATION AND DEVELOPMENT, BATON ROUGE, LOUISIANA 70804  
A FOLDER DESCRIBING TOPOGRAPHIC MAPS AND SYMBOLS IS AVAILABLE ON REQUEST



ROAD CLASSIFICATION  
Primary highway hard surface ..... Light-duty road, hard or improved surface .....  
Secondary highway hard surface ..... Unimproved road .....  
Interstate Route U.S. Route State Route

1	2	3
4	5	6
7	8	

1 Boston  
2 Bodeau Lake  
3 Herveaux  
4 Bossier City  
5 Doyline  
6 Sherwood East  
7 Ship  
8 Koran

EASTWOOD, LA  
1999  
NIMA 7249 II SE-SERIES V885

