

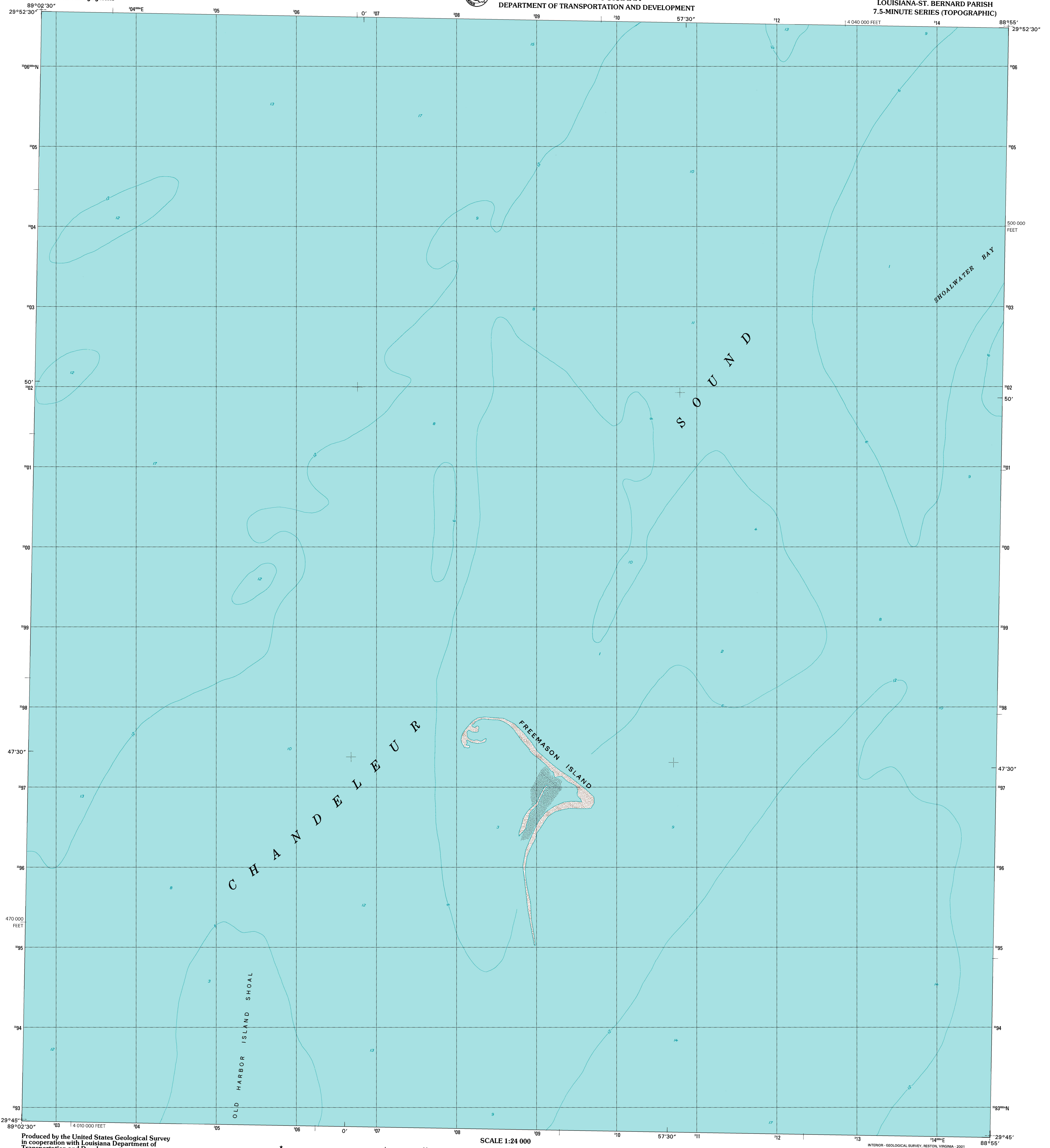


U.S. DEPARTMENT OF THE INTERIOR
U.S. GEOLOGICAL SURVEY

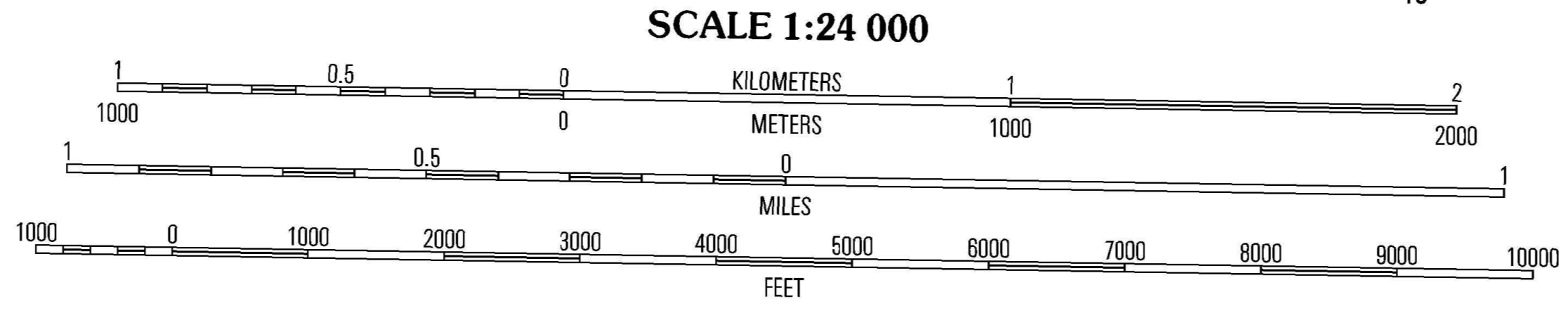
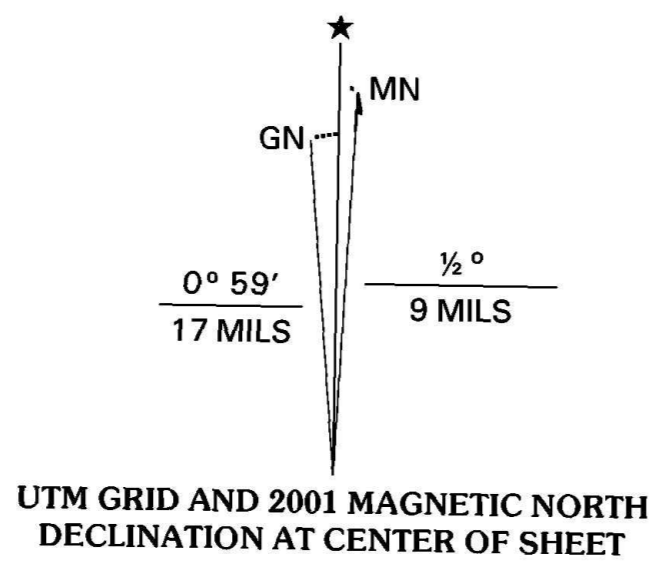


STATE OF LOUISIANA
DEPARTMENT OF TRANSPORTATION AND DEVELOPMENT

FREEMASON ISLAND QUADRANGLE
LOUISIANA-ST. BERNARD PARISH
7.5-MINUTE SERIES (TOPOGRAPHIC)



Produced by the United States Geological Survey in cooperation with Louisiana Department of Transportation and Development
Topography compiled 1950. Planimetry derived from imagery survey control current as of 1951. Boundaries current as of 2001
North American Datum of 1983 (NAD 83). Projection and 1000-meter grid: Universal Transverse Mercator, zone 16 (south zone)
North American Datum of 1927 (NAD 27) is shown by dashed corner ticks. The values of the shift between NAD 83 and NAD 27 for 7.5-minute intersections are obtainable from National Geodetic Survey NADCON software
Selected hydrographic data compiled from USCGS chart 1270 (1955)
This information is not intended for navigational purposes
This quadrangle covers a subsidence area
Houses of worship, schools, and other labeled buildings verified 1951



ALL ELEVATIONS BETWEEN ZERO AND 5 FEET ABOVE DATUM
NATIONAL GEODETIC VERTICAL DATUM OF 1929
DEPTH CURVES AND SOUNDINGS IN FEET - DATUM IS MEAN LOWER LOW WATER
THE RELATIONSHIP BETWEEN THE TWO DATUMS IS VARIABLE
THE MEAN RANGE OF TIDES IS APPROXIMATELY 1 FOOT
TO CONVERT FROM FEET TO METERS, MULTIPLY BY 0.3048
THIS MAP COMPLIES WITH NATIONAL MAP ACCURACY STANDARDS
FOR SALE BY U.S. GEOLOGICAL SURVEY, P.O. BOX 25286, DENVER, COLORADO 80225
AND LOUISIANA DEPARTMENT OF TRANSPORTATION AND DEVELOPMENT, BATON ROUGE, LOUISIANA 70804
A FOLDER DESCRIBING TOPOGRAPHIC MAPS AND SYMBOLS IS AVAILABLE ON REQUEST

ROAD CLASSIFICATION
Primary highway hard surface
Secondary highway hard surface
Light-duty road, hard or improved surface
Unimproved road
Interstate Route
U.S. Route
State Route

1	2	3	4
5	6	7	8

ADJOINING 7.5' QUADRANGLES
LA 196C

FREEMASON ISLAND, LA
1998
NIMA 3243 III NW-SERIES V885

