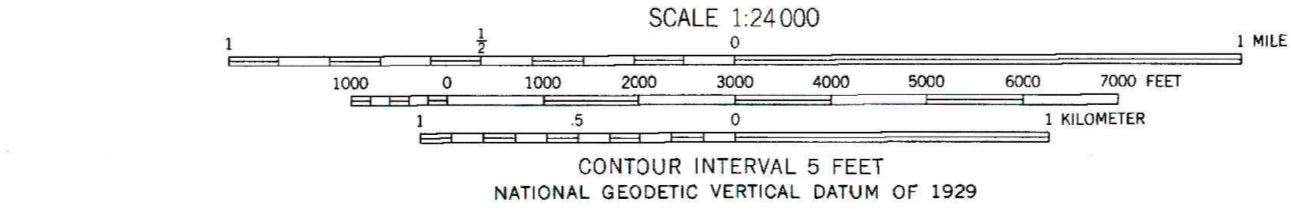
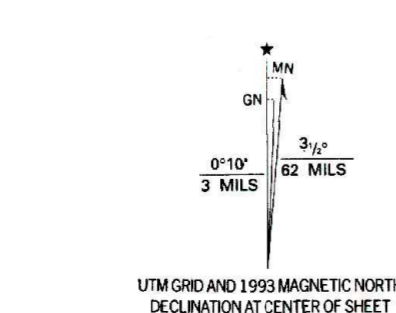


Produced by the United States Geological Survey
Control by USGS, NOS/NOAA, and Louisiana Geodetic Survey
Planimetry compiled from aerial photographs taken 1951. Topography by planetable surveys 1947 and 1951
Projection and 10,000-foot grid ticks: Louisiana coordinate system, south zone (Lambert conformal conic)
1000-meter Universal Transverse Mercator grid ticks, zone 15, shown in blue
1927 North American Datum (NAD 27)
North American Datum of 1983 (NAD 83) is shown by dashed corner ticks
The values of the shift between NAD 27 and NAD 83 for 7.5-minute intersections are given in USGS Bulletin 1875
There may be private inholdings within the boundaries of the National or State reservations shown on this map
Fine red dashed lines indicate selected fence and field lines where generally visible on aerial photographs. This information is unchecked



ROAD CLASSIFICATION

Heavy duty	Light duty
Unimproved dirt	U. S. Route

QUADRANGLE LOCATION

THIS MAP COMPLIES WITH NATIONAL MAP ACCURACY STANDARDS
FOR SALE BY U.S. GEOLOGICAL SURVEY, DENVER, COLORADO 80225, OR RESTON, VIRGINIA 22092
AND LOUISIANA DEPARTMENT OF TRANSPORTATION AND DEVELOPMENT, BATON ROUGE, LOUISIANA 70804
A FOLDER DESCRIBING TOPOGRAPHIC MAPS AND SYMBOLS IS AVAILABLE ON REQUEST

Revisions shown in purple and woodland compiled in cooperation with State of Louisiana agencies from aerial photographs taken 1990 and other sources. This information not field checked. Map edited 1993
Information shown in purple may not meet USGS content standards and may conflict with previously mapped contours

GUY, LA.
NW/4 CASTOR CREEK 15' QUADRANGLE
30092-F6-TF-024
1960
REVISED 1993
DMA 7445 II NW—SERIES V885