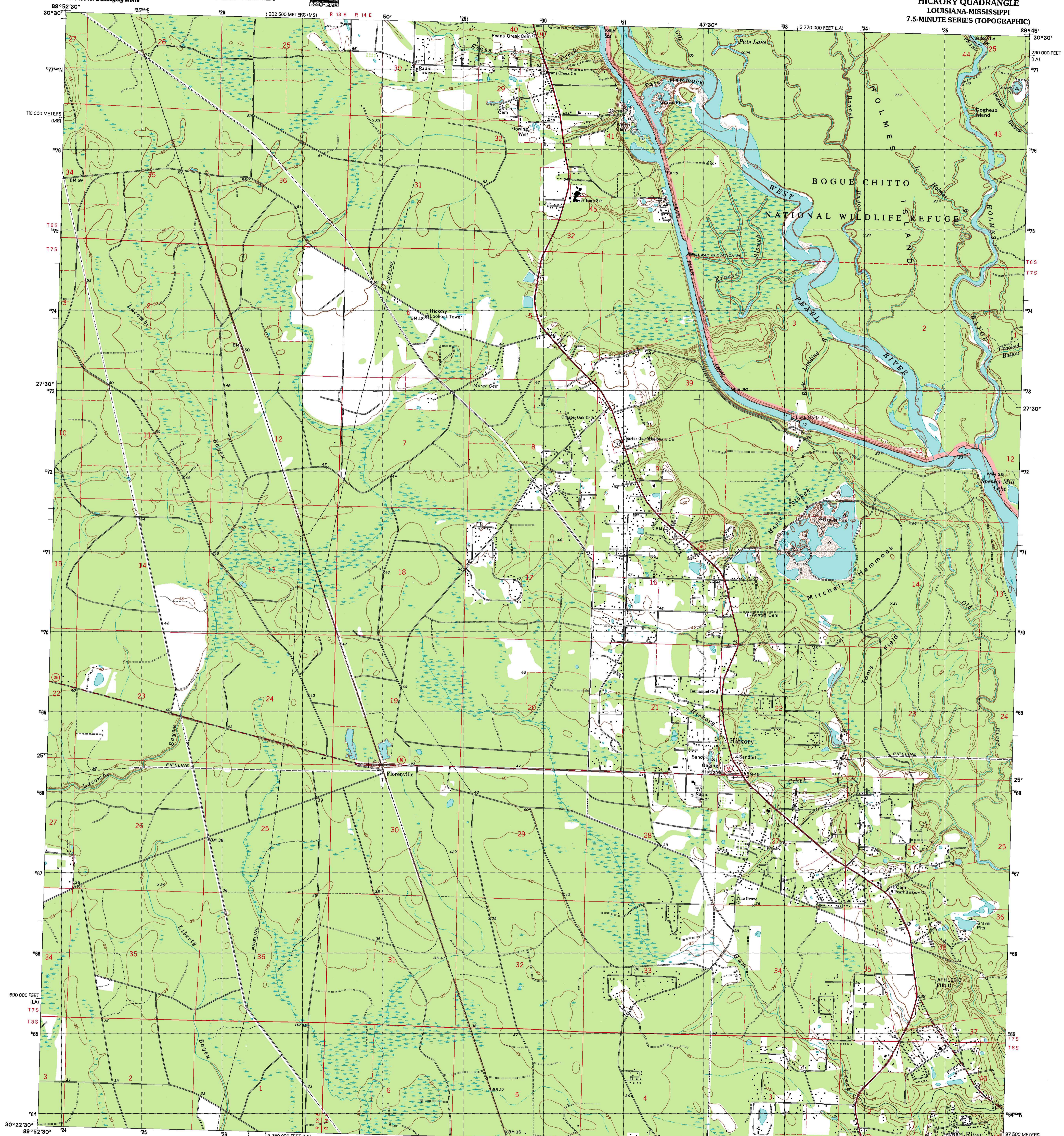




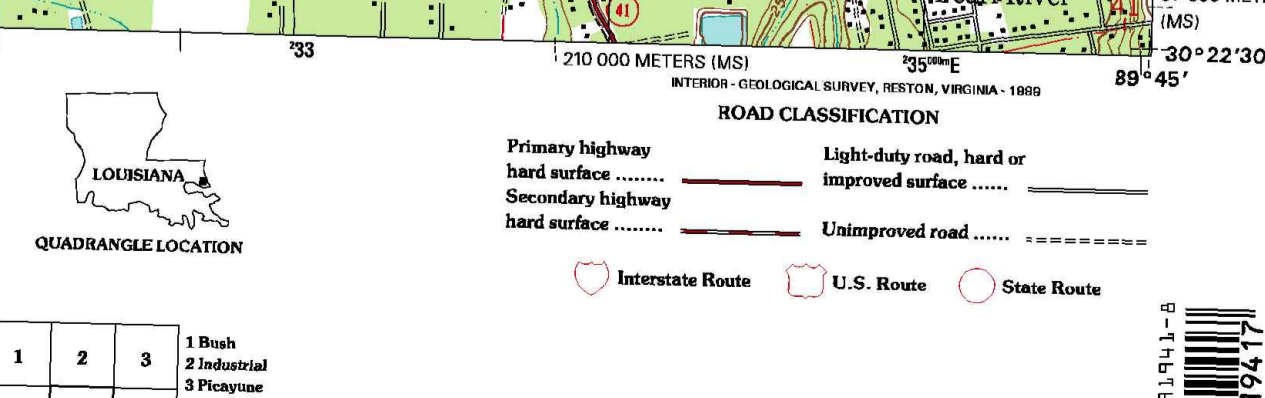
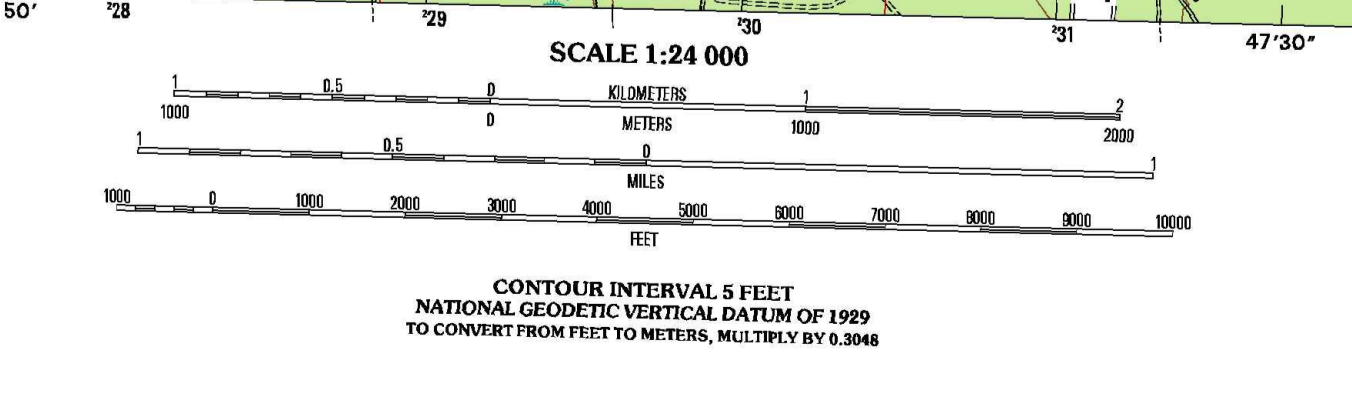
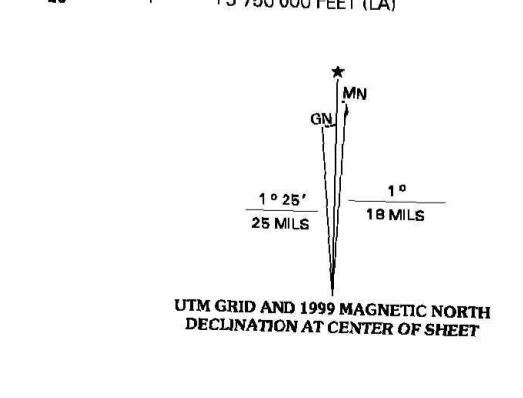
U.S. DEPARTMENT OF THE INTERIOR
U.S. GEOLOGICAL SURVEY



HICKORY QUADRANGLE
LOUISIANA-MISSISSIPPI
7.5-MINUTE SERIES (TOPOGRAPHIC)



Produced by the United States Geological Survey
Topography compiled 1969. Planimetry derived from imagery taken 1998 and other sources. Public Land Survey System and survey control current as of 1971
North American Datum of 1983 (NAD 83). Projection and 10 000-foot ticks: Universal Transverse Mercator, zone 16 (south zone). 2500-meter ticks: Louisiana Coordinate System of 1983 (south zone). 2500-meter ticks: Mississippi Coordinate System of 1983 (east zone)
North American Datum of 1927 (NAD 27) is shown by dashed corner ticks. The values of the shift between NAD 83 and NAD 27 for 7.5-minute intersections are obtainable from National Geodetic Survey NADCON software
There may be private inholdings within the boundaries of the National or State reservations shown on this map
Area in Louisiana in St Tammany Parish
Landmark buildings verified 1971



1	2	3	1 Bush
4	5	4 St Tammany	2 Industrial
6	7	5 Nicholson	3 Pinyon
		6 Lacombe	
		7 Shell	
		8 Hawthood	

ADJOINING 7.5' QUADRANGLE NAMES

HICKORY, LA-MS
1998
NIMA 8044 IV NE-SERIES V885

MONTÉ STELL
HICKORY, LA-MS
9 7860607 19194 171