

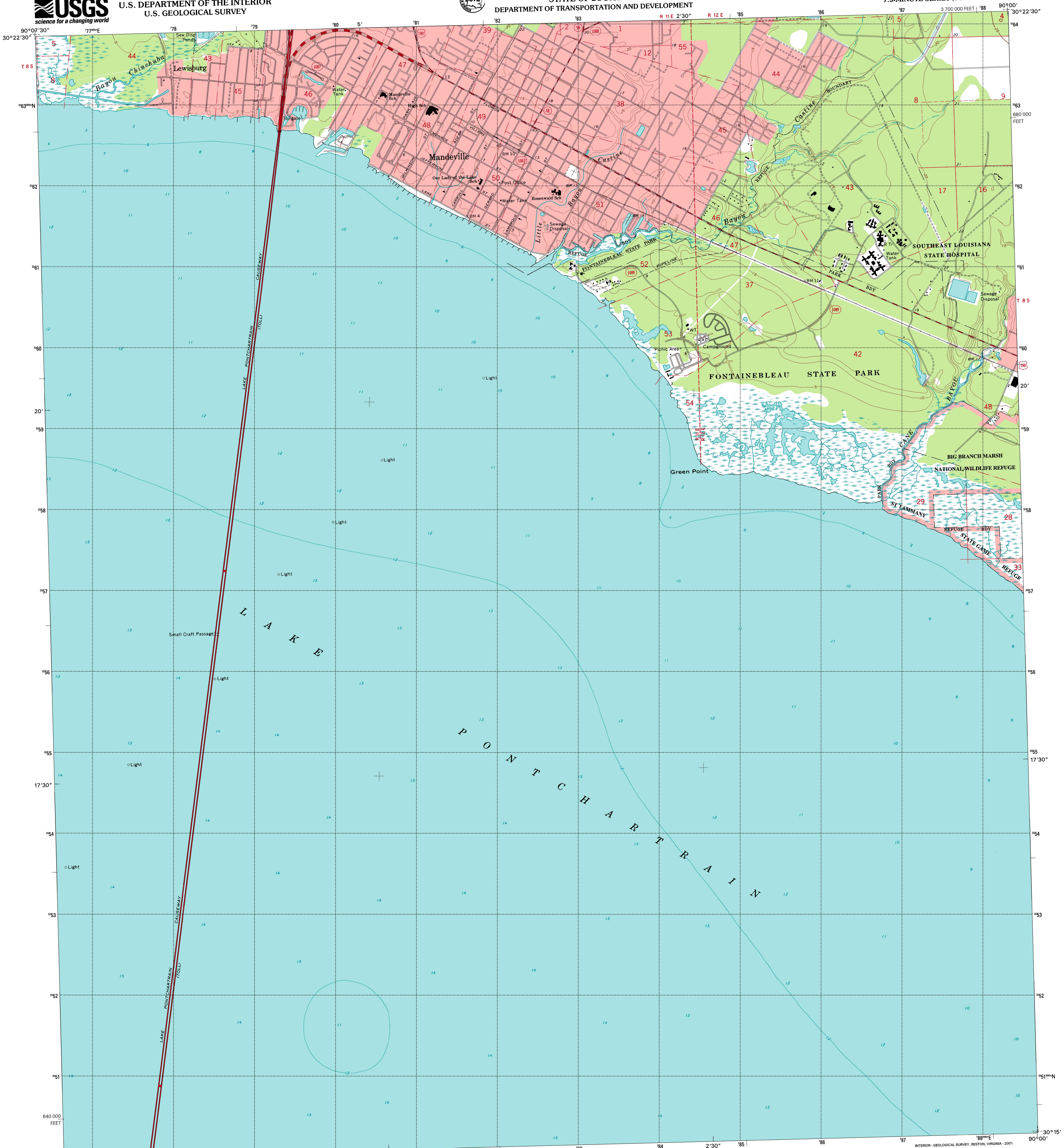


U.S. DEPARTMENT OF THE INTERIOR  
U.S. GEOLOGICAL SURVEY

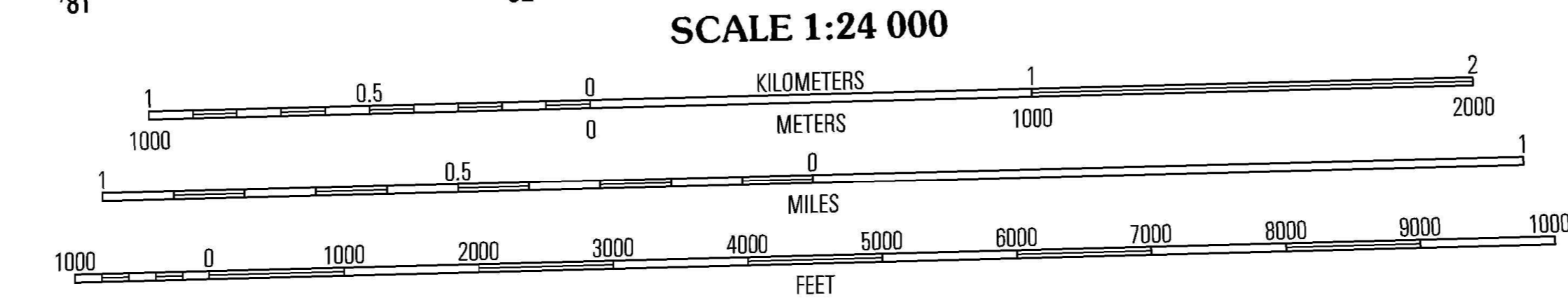
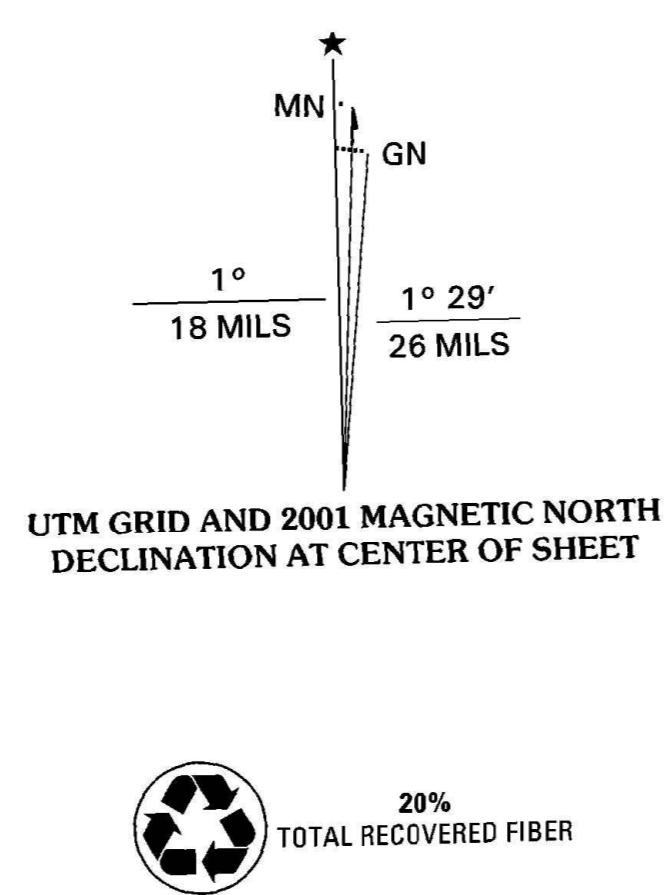


STATE OF LOUISIANA  
DEPARTMENT OF TRANSPORTATION AND DEVELOPMENT

MANDEVILLE QUADRANGLE  
LOUISIANA-ST. TAMMANY PARISH  
7.5-MINUTE SERIES (TOPOGRAPHIC)



Produced by the United States Geological Survey  
in cooperation with Louisiana Department of  
Transportation and Development  
Topography compiled 1965. Planimetry derived from imagery  
taken 1966 and other sources. Public Land Survey System and  
survey control current as of 1968. Boundaries current as of 2001  
North American Datum of 1983 (NAD 83). Projection and  
1 000-meter grid: Universal Transverse Mercator, zone 15  
10 000-foot ticks: Louisiana Coordinate System of 1983  
(south zone)  
North American Datum of 1927 (NAD 27) is shown by dashed  
corner ticks. The values of the shift between NAD 83 and  
NAD 27 for 7.5-minute intersections are obtainable from  
National Geodetic Survey NADCON software  
Selected hydrographic data compiled from NOS chart 1269 (1967)  
This information is not intended for navigational purposes  
There may be private inholdings within the boundaries of the  
National or State reservations shown on this map  
This quadrangle covers a subsidence area  
Houses of worship, schools, and other labeled buildings verified 1968



CONTOUR INTERVAL 5 FEET  
NATIONAL GEODETIC VERTICAL DATUM OF 1929  
TO CONVERT FROM FEET TO METERS, MULTIPLY BY 0.3048  
DEPTH CURVES AND SOUNDINGS IN FEET - DATUM IS MEAN LOWER LOW WATER  
THE RELATIONSHIP BETWEEN THE TWO DATUMS IS VARIABLE  
THE MEAN RANGE OF TIDE IS APPROXIMATELY 25 FEET  
THIS MAP COMPLIES WITH NATIONAL MAP ACCURACY STANDARDS  
FOR SALE BY U.S. GEOLOGICAL SURVEY, P.O. BOX 25286, DENVER, COLORADO 80225  
AND LOUISIANA DEPARTMENT OF TRANSPORTATION AND DEVELOPMENT, BATON ROUGE, LOUISIANA 70804  
A FOLDER DESCRIBING TOPOGRAPHIC MAPS AND SYMBOLS IS AVAILABLE ON REQUEST



ROAD CLASSIFICATION

Primary highway hard surface	Light-duty road, hard or improved surface
Secondary highway hard surface	Unimproved road
Interstate Route	U.S. Route
	State Route

1	2	3	1 Madisonville
4	5	6	2 Covington
7	8	9	3 Saint Tammany
			4 Covington SW
			5 Lacombe
			6
			7 Spanish Fort NE
			8 South Point
			9

MANDEVILLE, LA  
1998  
NIMA 79441 SE-SERIES V885

